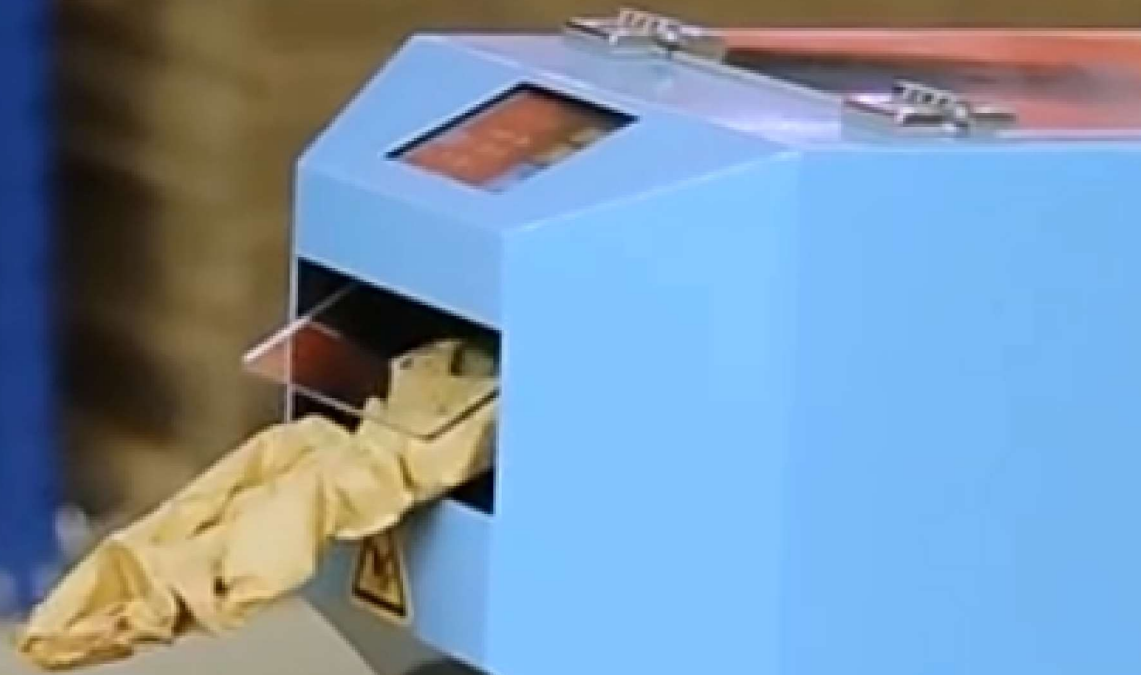


BSPP0-2



PAPER CUSHION MACHINE

MODEL: BSPPO - 2

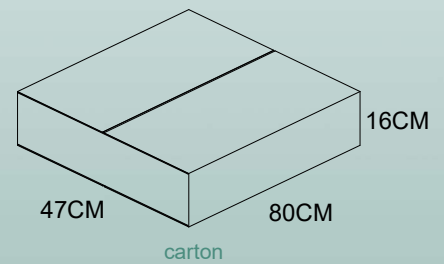
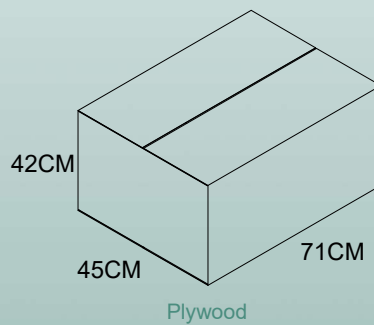
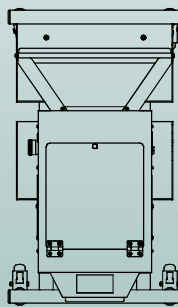
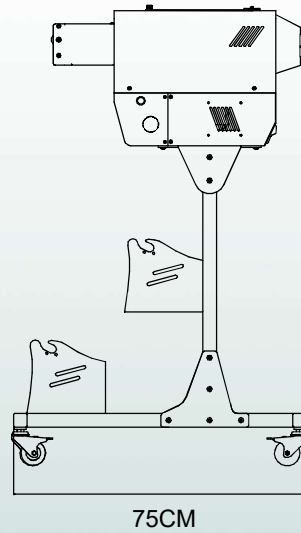
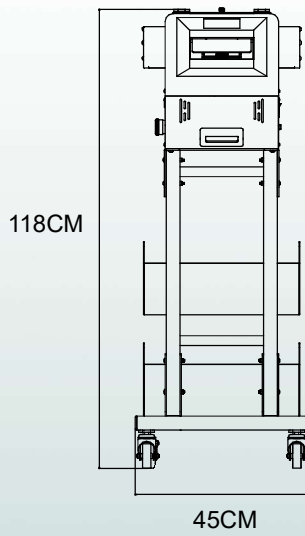


BS
PPO





BSPPO-2 Product size



Package size of single machine



Product parameters

- ◆ Speed: 12M/min.
- ◆ Power: 120W.
- ◆ Voltage: 220~230V or 100~120V.
- ◆ Shell material: Metal alloy.
- ◆ Paper application:
380mm wide, fanfold paper or roll of paper.
- ◆ Net weight: 54KG Gross weight: 67KG



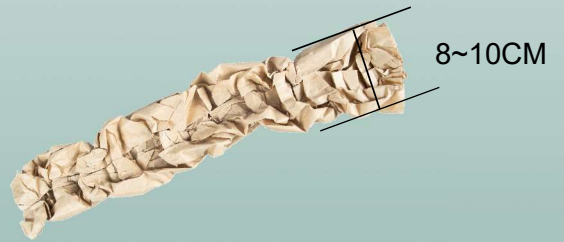
Product features

- ◆ Easy to operate, just refer to the manual.
- ◆ Multimode function.
- ◆ Small size, modular design.
- ◆ Innovative paper pad extrusion fold structure.
- ◆ Warranty period: 24 months.
- ◆ Customizable: color, logo.
- ◆ Multiple proprietary patented products.
- ◆ Certificate: CE.

◆ General dimension table of fanfold paper

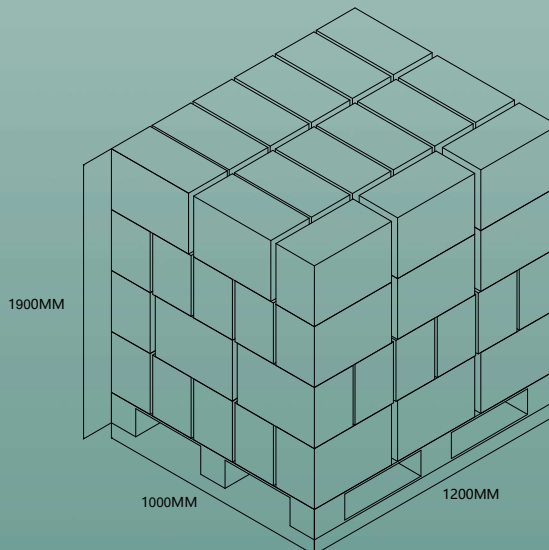
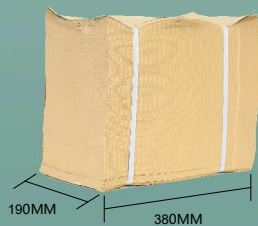
Model	Colour	Gram weight	Width	Length	material
BSWP-100H-38-50-500	Light gray	50g	380mm	500m	100% Recycled
BSWP-30H-38-80-250	Yellowish	50g	380mm	500m	30% Recycled
BSWP-P-38-50-500	Natural	50g	380mm	500m	Kraft paper
BSWP-100H-38-70-330	Light gray	70g	380mm	330m	100% Recycled
BSWP-50HG-38-70-330	Dark brown	70g	380mm	330m	50% Recycled high strength
BSWP-Z-38-70-330	Natural	70g	380mm	330m	Medium strength

- ◆ Customized: Gram weight, length, fold width, packing.
- ◆ Standard packing: L-shaped cardboard + packing belt.







◆ Packaging parameters of fanfold paper

- ◆ Dimensions: 1200x1000x1900mm.
- ◆ 135 bundles / pallet.





Comparison of different materials of fanfold paper

Model	Colour	Code	Strength	Material
	Light gray	100H	★	100% Recycled 50g/70g
	Yellowish	30H	★★	30% Recycled 50g
	Natural	P	★★★	Kraft paper 50g
	Dark brown	50HG	★★★★	50% Recycled high strength 70g
	Natural	Z	★★★★★	Medium strength 70g