

Electric Water Tape Dispenser

Manual

MODEL: SP-2

VERSION: 202206

CONTENTS

SAFETY NOTICE	2
DISPENSER PARAMETERS	2
STRUCTURE INTRODUCTION	3
KEYPAD OPERATION INSTRUCTION	4
ROLL GUIDE INSTALLATION INSTRUCTION	5
TAPE INSTALLATION INSTRUCTION	5
WATER BOTTLE OPERATING INSTRUCTION	6
BRUSH OPERATION INSTRUCTION	7
MAINTENANCE INSTRUCTIONS	7

SAFETY NOTICE

Please use 100V-220V power supply.

Avoid placing in direct sunlight and outdoors.

Please cut off the power quickly when break down.

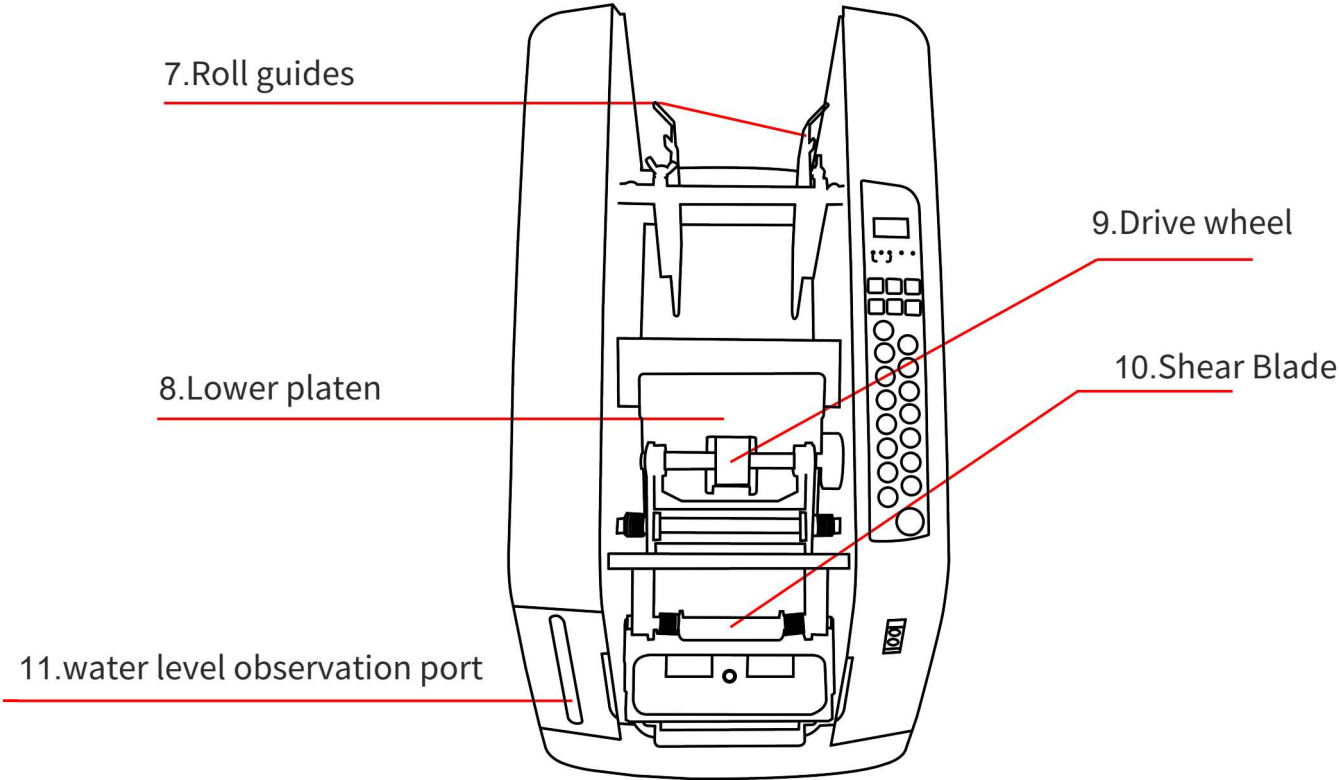
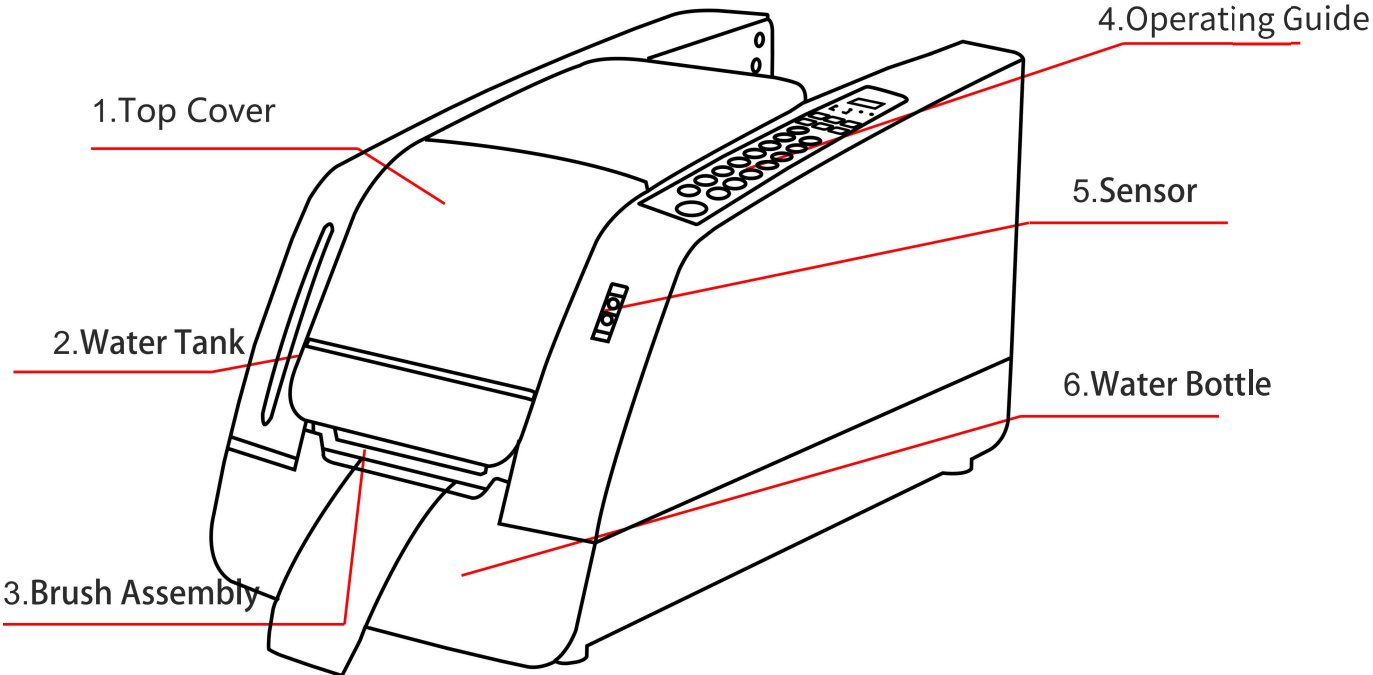
Please disconnect the power supply and remove the plug , when cleaning or repairing equipment.

Do not disassemble or repair equipment without the knowledge of engineer.

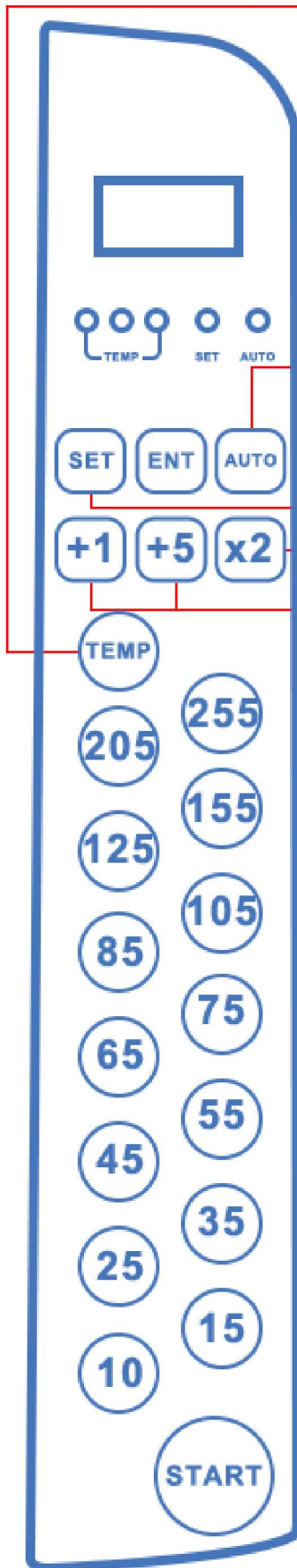
DISPENSER PARAMETERS

Voltage	Power	Speed	Weight	Size
100-220V	100W	50CM/S	14.5KG	45*25*25CM

STRUCTURE INTRODUCTION



KEYPAD OPERATION INSTRUCTIONS



Brush heating plate temperature control

TEMP: ○○○ no temperature TEMP: ●○○ low grade heating

TEMP: ○●○ middle grade heating TEMP: ○○● high grade heating

Summer setting: ●○○ Winter setting: ○●○

Automatic mode

Press AUTO button, the indicator light will be red, choose the length you need, paper can be ejected using the sensor.

Press AUTO button again, AUTO indicator is off, cancel automatic mode.

Double length button

Press 2X to select double length;

For example, set 30CM: press button 15 first then press X2;

Programming mode

For example, continuously produce different sizes: 15-35-55cm;

Press the SET button first, the SET indicator lights up and enter the programming mode;

The desired values in order: 15, 35, 55;

Press ENT to confirm, press the START to start it;

Place your hand about 10 cm in front of the photoelectric sensor interface on the front side of the machine

Shake at a constant speed, the machine will automatically eject the paper

Press the SET button again, the SET indicator will be off and the programming mode will be canceled;

Length adjustment button

+1: add length button, add 1cm each time;

+5: add length button, add 5cm each time;

eg: need 17cm, press twice of +1, then choose button 15.

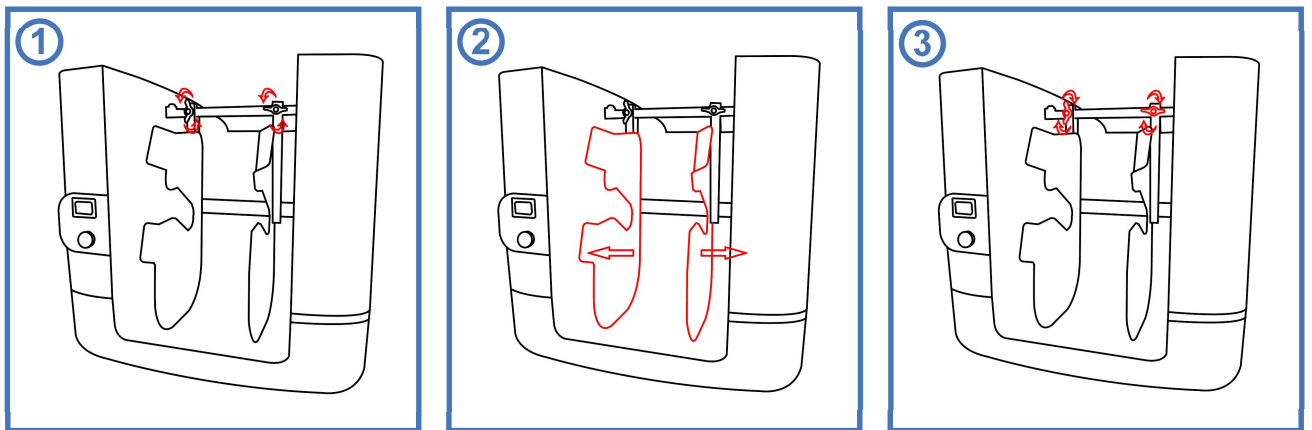
ROLL GUIDE INSTALLATION INSTRUCTION

According to the actual tape width, install the roll guides at its proper position.

As shown in figure 1, loosen the screws at both ends of the limit plate counterclockwise.

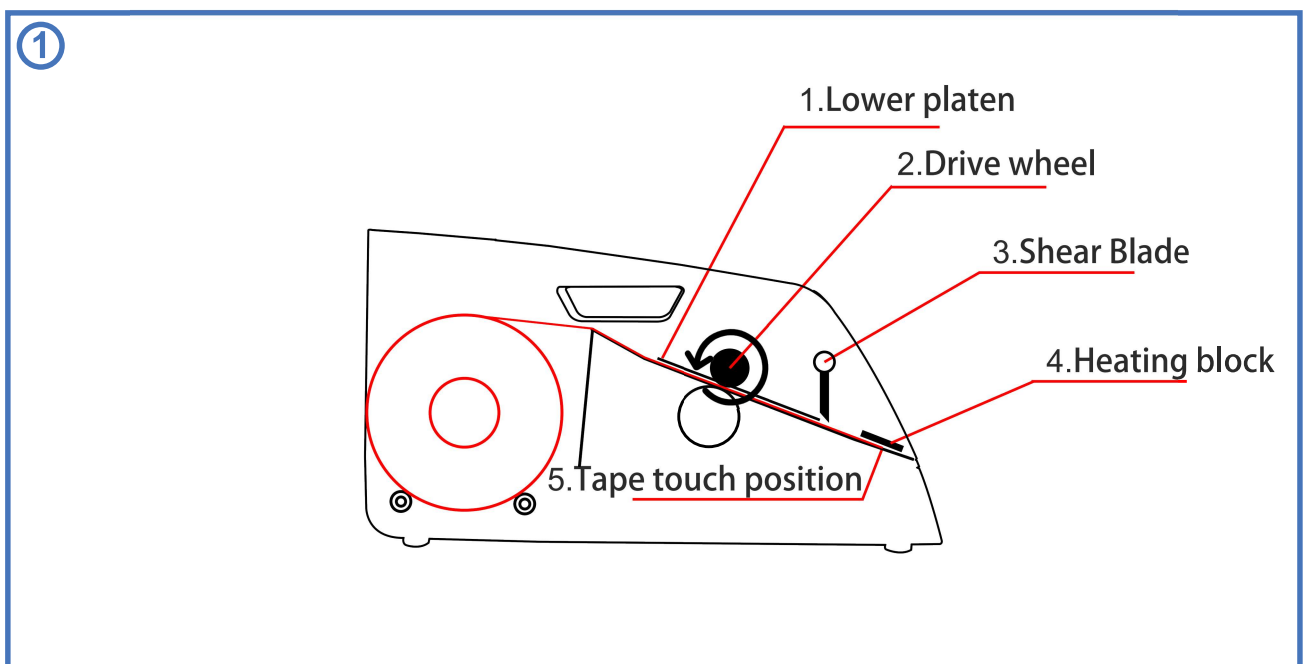
As shown in figure 2, move the limit plate to the appropriate width.

As shown in figure 3, tighten the screws at both ends above the limit plate clockwise.



TAPE INSTALLATION INSTRUCTION

As shown in figure 4: before put on the tape, be sure the front end of the tape is cut flat; The tape is passed through the platen, and the transmission wheel is manually turned to make the tape move forward until it passes through the cutter.



WATER BOTTLE OPERATING INSTRUCTION

As shown in figure 1, raise the cover halfway (there should be a gap at the connection to facilitate lifting the water tank)

As shown in figure 2, lift up to take out the water tank

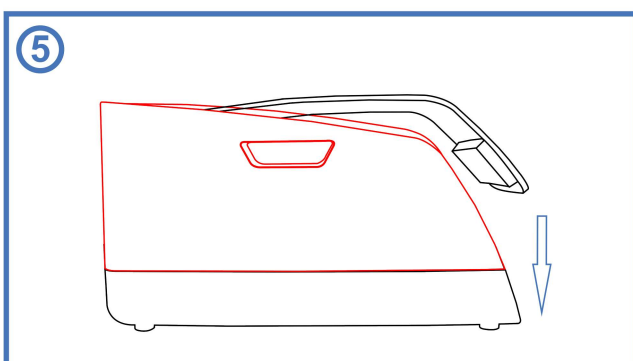
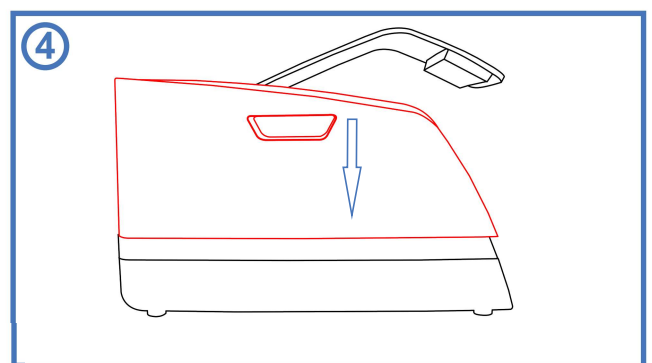
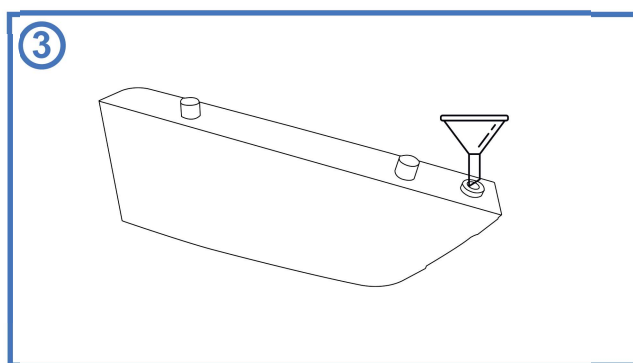
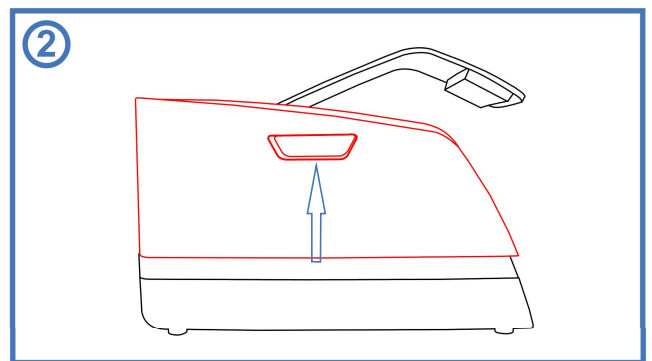
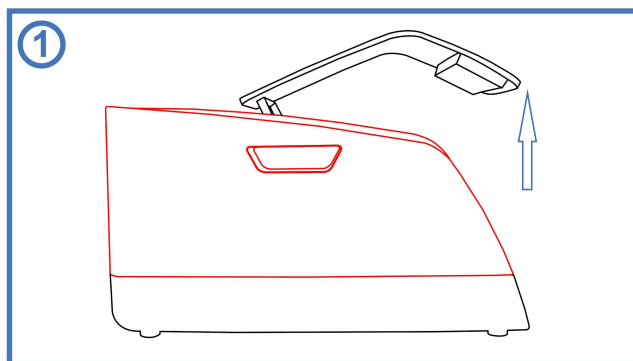
As shown in figure 3: Fill the water tank

(it is more convenient to use the matching funnel to fill the water)

As shown in figure 4: After filled with water, put the water tank back to original position, pay attention to the buckle on the side of water tank, which needs to be buckled to the machine.

As shown in figure 5, put the cover back

Note: When using, please pay attention to the remaining water in the water tank to ensure that the brush is kept moist.

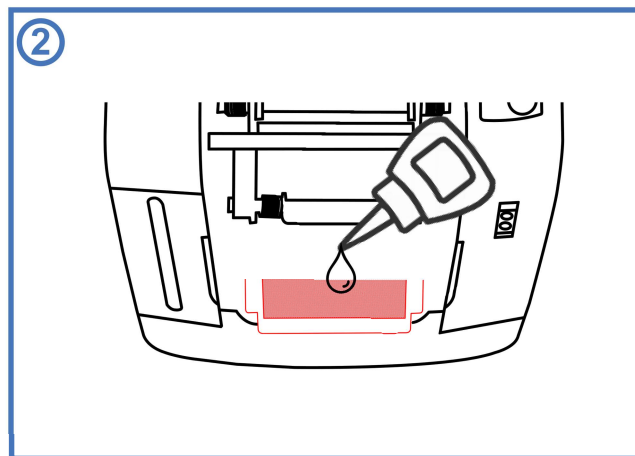
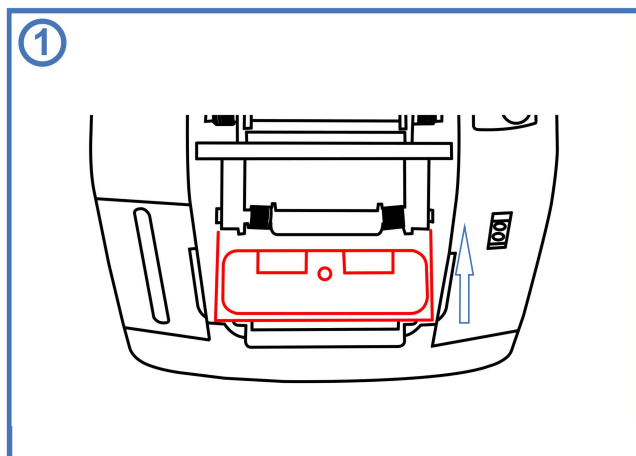


BRUSH OPERATION INSTRUCTION

As shown in figure 1: Raise the heating block.

As shown in figure 2: Use a kettle to add water to the brush, the more the better

Pay attention to check whether the brush is installed in place and flat



MAINTENANCE INSTRUCTIONS

If a large amount of tape is used every day, a layer of starch glue will remain on the brush surface.

If it is not used for one night, the starch glue will dry and harden, resulting in the wet effect of the tape. It becomes worse, so if the machine is suspended from use and restarted, be sure to ask the operator to gently wipe the dried starch then use water to drip the surface of brush, and it can be used again;

Please lift the heating module regularly (recommended once a week), gently take out the square water tank below the heating module, and check whether there is tape dust and paper scraps that run into the machine. If have, blow it dry.